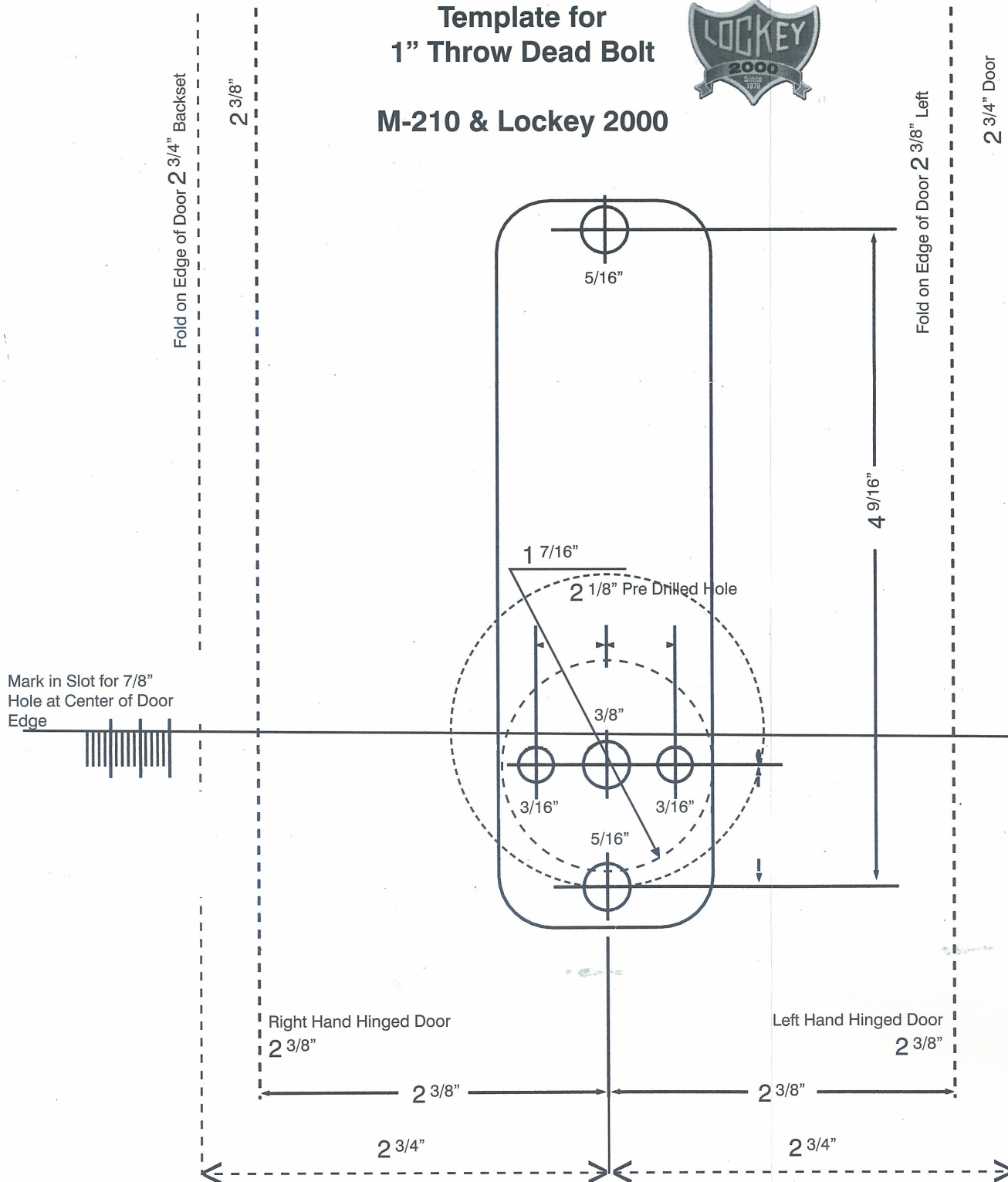


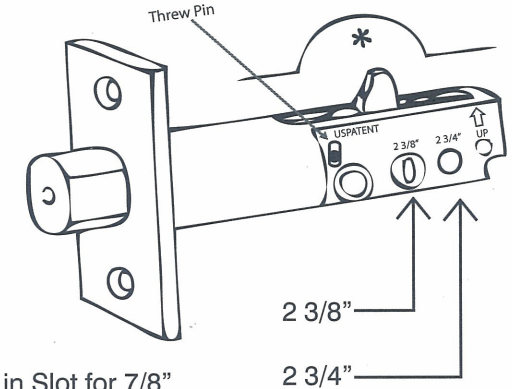
**Template for
1" Throw Dead Bolt
M-210 & Lockey 2000**



**Adjustable Dead Bolt
2 3/8" or 2 3/4"**

To Adjust Backset: Lift on the throw pin, move slotted hole to 2 3/4" setting by sliding inter slide toward back of dead bolt set.

Dead bolt is set to 2 3/8" backset from factory.



Mark in Slot for 7/8" Hole at Center of Door Edge

IMPORTANT

1. You must ensure that inside of 22mm (7/8") mortise hole is enlarged by moving wood drill up and down or using a small chisel – This is to give clearance for movement of 'CAM' which moves up as deadbolt is thrown (as shown in diagram below*) – check clearance required by turning spindle in deadbolt and view movement of cam.
2. Ensure you drill hole in door frame deep enough to accept the (1") throw.